

PNA

zone 1

zone 2

EEx d IIC

EEx e II

II2GD

IP 67

-20°C

zone21

zone22



+40°C

Special Tamb.

-40°C

Special Tamb.

+90°C

KABLO RAKORU - CABLE GLAND

KEMA 01ATEX2240X

Özellikleri : Zırhlı olmayan kablolar için kablo rakoru
EEx d IIC .

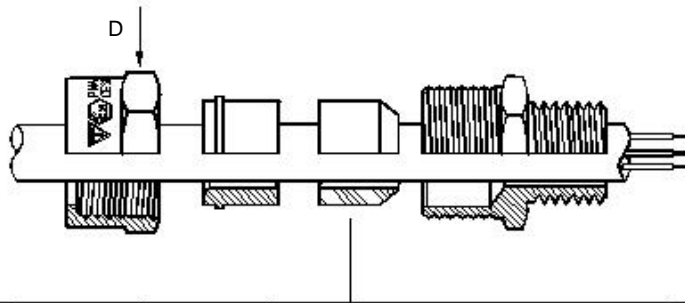
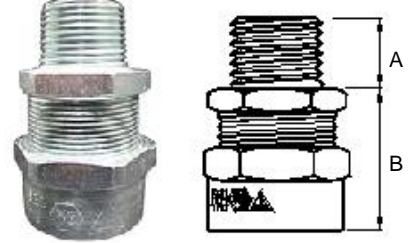
Features : Cable gland for unarmoured cable with wide range of Ex sealing ring : one ring for each size
They are suitable for enclosures with internal volume more than 2 litres and for EEx d IIC enclosures.

Malzemesi : Nikel kaplı pirinç (D)

Materials : Nickel plated brass (D)

İsteğe bağlı : Paslanmaz çelik (Y) – Hafif alaşım (L)

Optional : Stainless steel (Y) - Light alloy (L)



Ø"	D	A	B MAX	Type	Ø min	Ø MAX	Kod Code
1/2	28	20	46	PX 10	4	10	PNA 0
1/2	40	20	45	PX 12	6	12	PNA 1
3/4	40	20	45	PX 12	6	12	PNA 12
3/4	47	20	47	PX 17	9	17	PNA 2
1	58	26	49	PX 23	14	23	PNA 3
1 1/2	70	26	52	PX 29	19	29	PNA 5A
1 1/2	67	26	52	PX 36	28	36	PNA 5B
2	83	26	57	PX 45	34	45	PNA 6
3	108	31	60	PX 59	47	59	PNA 8

M20x1.5	28	20	46	PX 10	4	10	PNA 0M
M20x1.5	40	20	45	PX 12	6	12	PNA 1M
M25x1.5	40	20	45	PX 12	6	12	PNA 12M
M25x1.5	47	20	47	PX 17	9	17	PNA 2M
M32x1.5	58	26	49	PX 23	14	23	PNA 3M
M40x1.5	70	26	52	PX 29	19	29	PNA 5AM
M50x1.5	67	26	52	PX 36	28	36	PNA 5BM
M63x1.5	83	26	57	PX 45	34	45	PNA 6M